

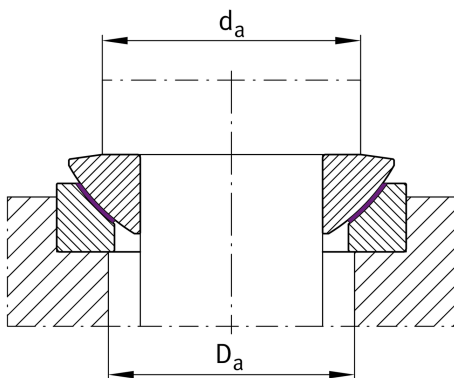
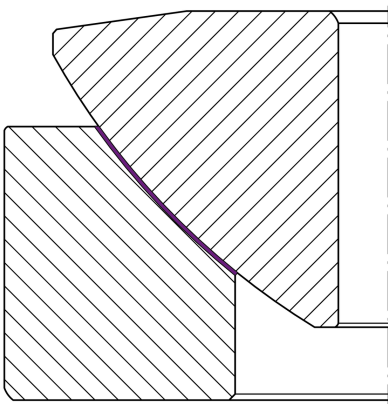
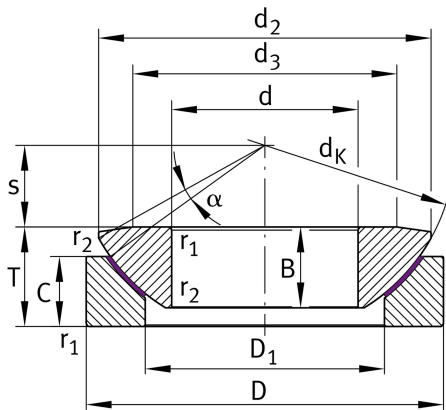
GE40-AW

Spherical plain bearing

Schaeffler ID:
0066516740000

Axial spherical plain bearing, maintenance-free, DIN ISO 12240-3, shaft location washer curved surface with hard chromium coating, open design

Technical information



Main Dimensions & Performance Data

d	40 mm	Bore diameter bearing
D	105 mm	Outside diameter bearing
T	32 mm	Height
B	27 mm	Width Inner ring
C_a	1,120,000 N	Basic dynamic load rating, axial
C_{0a}	1,870,000 N	Basic static load rating, axial
	1.621 kg	Weight

Dimensions

d_K	114 mm	Ball diameter
d_2	98 mm	Outer eye diameter
d_3	78 mm	Front surface diameter of shaft washer
D_1	59 mm	Bore diameter of housing washer
C	22 mm	Width Outer ring
s	24.5 mm	Plane Surface Spacing
α	6 °	Tilt angle
d_{OT}	0 mm	Bore diameter bearing, upper tolerance
d_{UT}	-0.012 mm	Bore diameter bearing, lower tolerance
D_{OT}	0 mm	Outside diameter, upper tolerance
D_{UT}	-0.015 mm	Outside diameter, lower tolerance
T_{OT}	0 mm	Height, upper tolerance
B_{OT}	0 mm	Width inner ring, upper tolerance
T_{UT}	-0.4 mm	Height, lower tolerance
B_{UT}	-0.24 mm	Width inner ring, lower tolerance
C_{OT}	0 mm	Width outer ring, upper tolerance

Mounting dimensions

$r_{1\text{min}}$	1 mm	Edge Spacing
$r_{2\text{min}}$	0.3 mm	Edge Spacing
$d_{a\text{max}}$	78 mm	Connection measure Inner ring
$D_{a\text{min}}$	64 mm	Housing Connection Diameter

Temperature range

T_{min}	-50 °C	Operating temperature min.
T_{max}	150 °C	Operating temperature max.